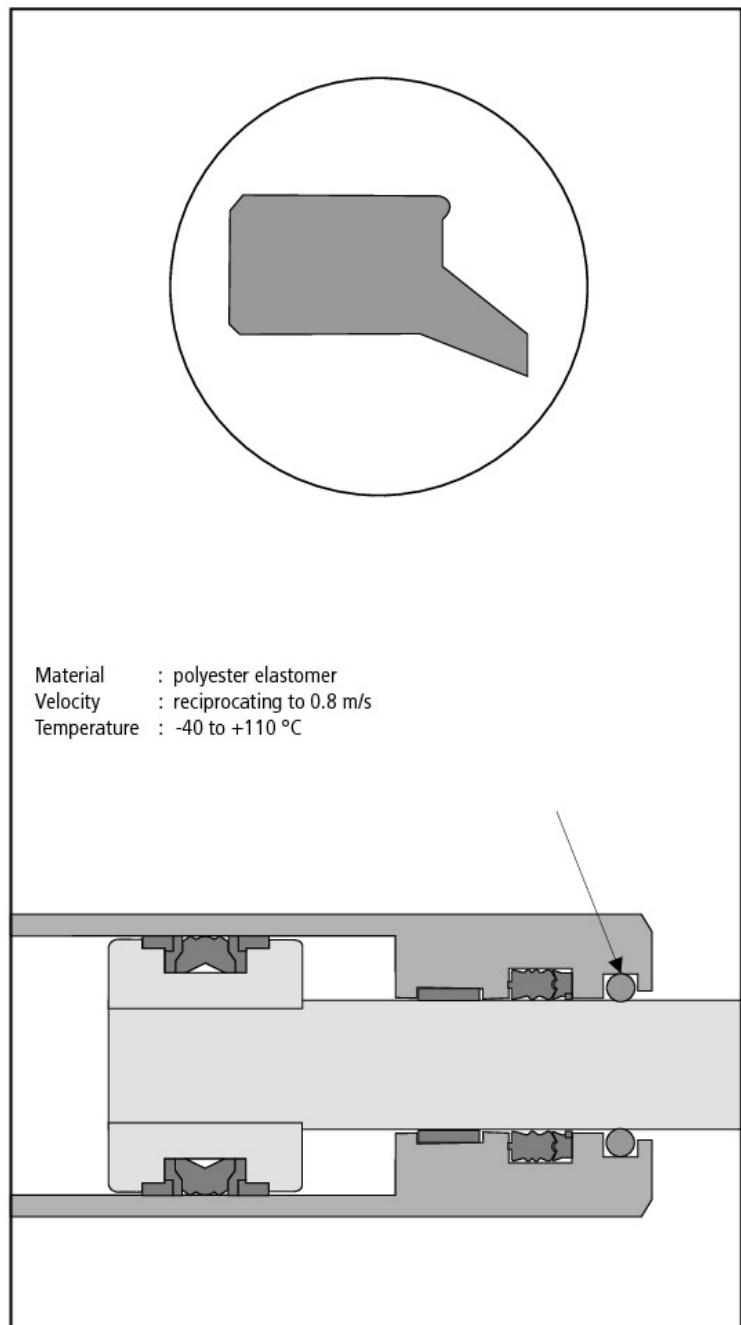
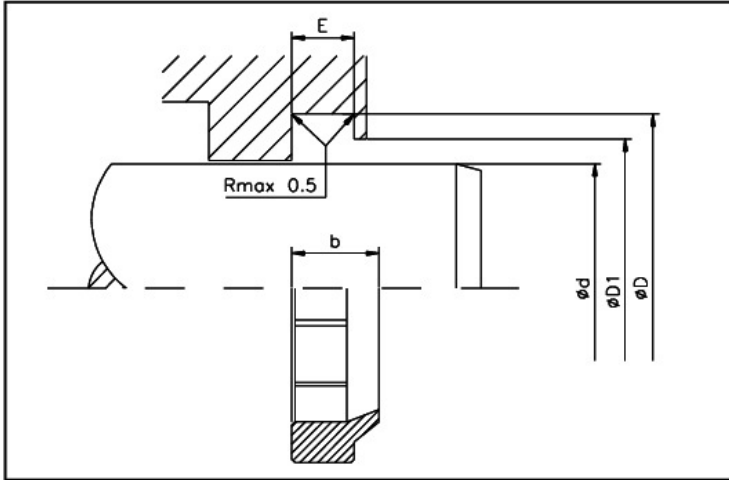
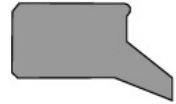


Single acting wiper HA 326 reliably prevents entry of dirt and water into the hydraulic cylinder. The special choice of material makes this wiper suitable for extreme working conditions of the cylinder, e.g. Mining.

Special Features:

- Outstanding wiper action
- Anti wear polyester elastomer
- Form closed secure fit
- Easy snap assembly in groove
- Relief on internal diameter.





Limitations on Use	
Velocity	: reciprocating to 0.8 m/s
Temperature	: -40 bis +110 °C

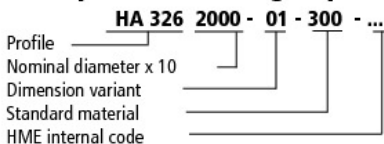
Media for Use	
Mineral oil based pressure fluids, flame resistant fluids (HFA, HFB, HFC), non-polluting pressure fluids (Bio Oils).	

Surface Finish			
	Rmax	Rz	Ra
Faces	2,5 µm	1,6 µm	0,4 µm
Diameter/groove root	16,0 µm	10,0 µm	3,2 µm
Groove flanks	16,0 µm	10,0 µm	3,2 µm

d f8/h9	D +0,2	b	D1 +0,2	E +0,2	Part N°.
50,00	58,00	8,00	55,50	5,00	HA326 0500-01-300
70,00	82,20	12,00	76,00	7,20	HA326 0700-01-300
75,00	87,20	12,00	81,00	7,20	HA326 0750-01-300
80,00	92,50	12,00	86,00	7,20	HA326 0800-01-300
90,00	105,00	12,00	100,00	7,20	HA326 0900-01-300
115,00	127,00	11,00	119,00	7,20	HA326 1150-01-300
115,00	127,20	12,00	121,00	7,20	HA326 1150-02-300
120,00	132,20	12,00	126,00	7,20	HA326 1200-01-300
135,00	147,00	12,00	141,00	7,20	HA326 1350-01-300
140,00	155,00	14,00	150,00	9,50	HA326 1400-01-300
170,00	182,00	12,00	176,00	7,60	HA326 1700-01-300
170,00	185,00	14,00	175,00	10,20	HA326 1700-02-300
175,00	190,00	14,00	185,00	9,50	HA326 1750-01-300
185,00	200,00	14,00	195,00	9,50	HA326 1850-01-300
185,00	200,00	16,00	193,00	10,20	HA326 1850-02-300
192,00	207,00	12,00	199,00	8,00	HA326 1920-01-300
200,00	215,00	14,00	205,00	10,20	HA326 2000-01-300
210,00	225,00	16,00	218,00	10,20	HA326 2100-01-300
212,00	227,00	12,00	220,00	7,50	HA326 2120-01-300
212,00	232,00	18,00	225,50	12,50	HA326 2120-02-300
220,00	240,00	18,00	233,50	10,00	HA326 2200-01-300
220,00	240,00	18,00	233,50	12,50	HA326 2200-02-300
235,00	252,00	12,00	244,00	7,60	HA326 2350-01-300
260,00	280,00	15,00	270,00	10,20	HA326 2600-01-300

Further sizes and an extensive range of inch measurement diagrams available on request.

Example for ordering Wipers:



Issue

01 05

WARNING: Limits of application stated herein are standard values. They could be individually transgressed with due consideration to respective service conditions. In the event of a large duty cycle, pulsating operation and other complex operational conditions, simultaneous transgression of these values is not recommended. Due to a large variety of service conditions that may arise in course of actual use, the company does not take responsibility of or guarantee the functional accuracy of the individual components. Rights for changes are reserved.