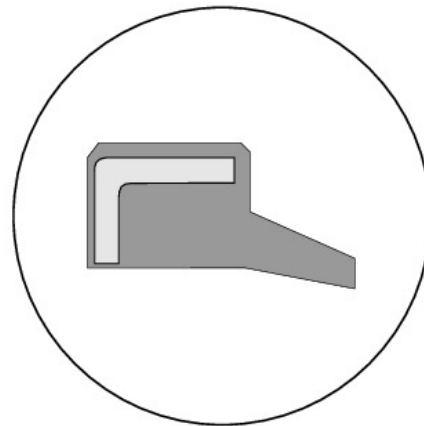




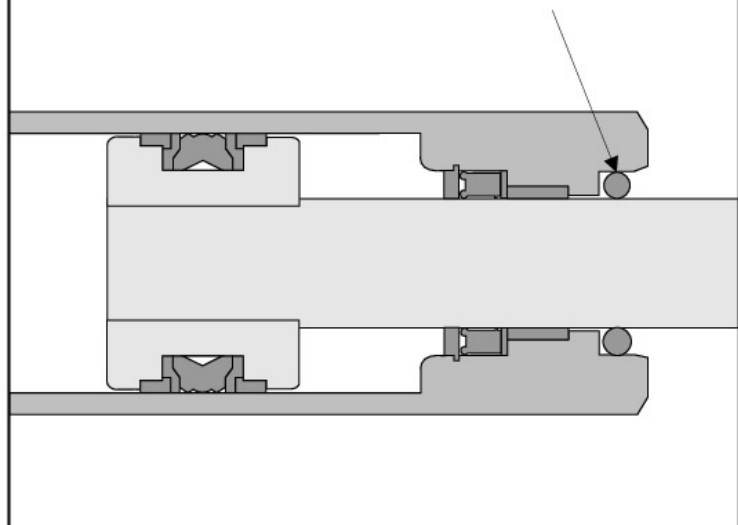
Single acting wiper HA 305 guarantees good wiper action. This system reliably protects the rod slide from entry by dirt-particles and water, thereby enhancing service life of rod seals and slides.

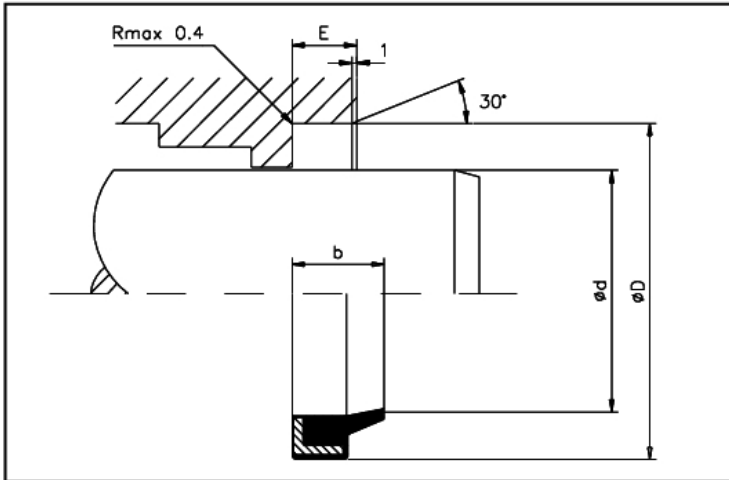
Special Features:

- Very good wiping action at low friction
- Low wear even under rough service conditions
- Fully vulcanized metal angle ring
- Internal metal cage - no chance for corrosion
- Easy assembly in open groove, secure wiper position
- Easy assembly of groove geometry
- Elastomer components available in FPM for special applications.



Material : rubber elastomer/metall combination
 Velocity : reciprocating to 4 m/s
 Temperature : -30 to +110 °C





Limitations on Use

Velocity : reciprocating to 4 m/s
Temperature : -30 bis +110 °C

Media for Use

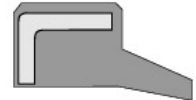
Mineral oil based hydraulic oil, flame resistant pressure media and emulsions (HFA, HFB, HFC), non-polluting pressure fluids (Bio Oils).

Surface Finish

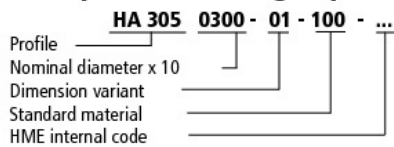
	Rmax	Rz	Ra
Surfaces	2,5 µm	1,6 µm	0,4 µm
Diameter/groove root	16,0 µm	10,0 µm	3,2 µm
Groove flanks	16,0 µm	10,0 µm	3,2 µm

d f8/h9	D H8	E +0,2	b	Part N°.
8,00	14,00	3,50	5,00	HA305 0080-01-100
10,00	16,00	3,50	5,00	HA305 0100-01-100
12,00	18,00	3,50	5,00	HA305 0120-01-100
14,00	20,00	3,50	5,00	HA305 0140-01-100
15,00	21,00	3,50	5,00	HA305 0150-01-100
16,00	22,00	3,50	5,00	HA305 0160-01-100
18,00	28,00	5,00	7,00	HA305 0180-01-100
20,00	30,00	5,00	7,00	HA305 0200-01-100
22,00	32,00	5,00	7,00	HA305 0220-01-100
25,00	35,00	5,00	7,00	HA305 0250-01-100
28,00	38,00	5,00	7,00	HA305 0280-01-100
30,00	40,00	5,00	7,00	HA305 0300-01-100
32,00	42,00	5,00	7,00	HA305 0320-01-100
35,00	45,00	7,00	10,00	HA305 0350-01-100
36,00	46,00	5,00	7,00	HA305 0360-01-100
40,00	50,00	5,00	8,00	HA305 0400-01-100
42,00	52,00	5,00	7,00	HA305 0420-01-100
45,00	55,00	5,00	7,00	HA305 0450-01-100
50,00	60,00	5,00	7,00	HA305 0500-01-100
55,00	65,00	5,00	7,00	HA305 0550-01-100
56,00	66,00	5,00	7,00	HA305 0560-01-100
60,00	70,00	5,00	7,00	HA305 0600-01-100
63,00	73,00	5,00	7,00	HA305 0630-01-100
65,00	75,00	5,00	7,00	HA305 0650-01-100
70,00	80,00	5,00	7,00	HA305 0700-01-100
75,00	83,00	7,00	10,00	HA305 0750-01-100
80,00	88,00	7,00	10,00	HA305 0800-01-100

Sizes also available in FPM. Extensive range of inch measurement diagrams available on request.
Bold figures correspond to rod diameters as per ISO 3320.



Example for ordering Wipers:



Material Key:

- 100 - NBR
- 120 - FPM

Issue

01	05
----	----

WARNING: Limits of application stated herein are standard values. They could be individually transgressed with due consideration to respective service conditions. In the event of a large duty cycle, pulsating operation and other complex operational conditions, simultaneous transgression of these values is not recommended. Due to a large variety of service conditions that may arise in course of actual use, the company does not take responsibility of or guarantee the functional accuracy of the individual components. Rights for changes are reserved.