

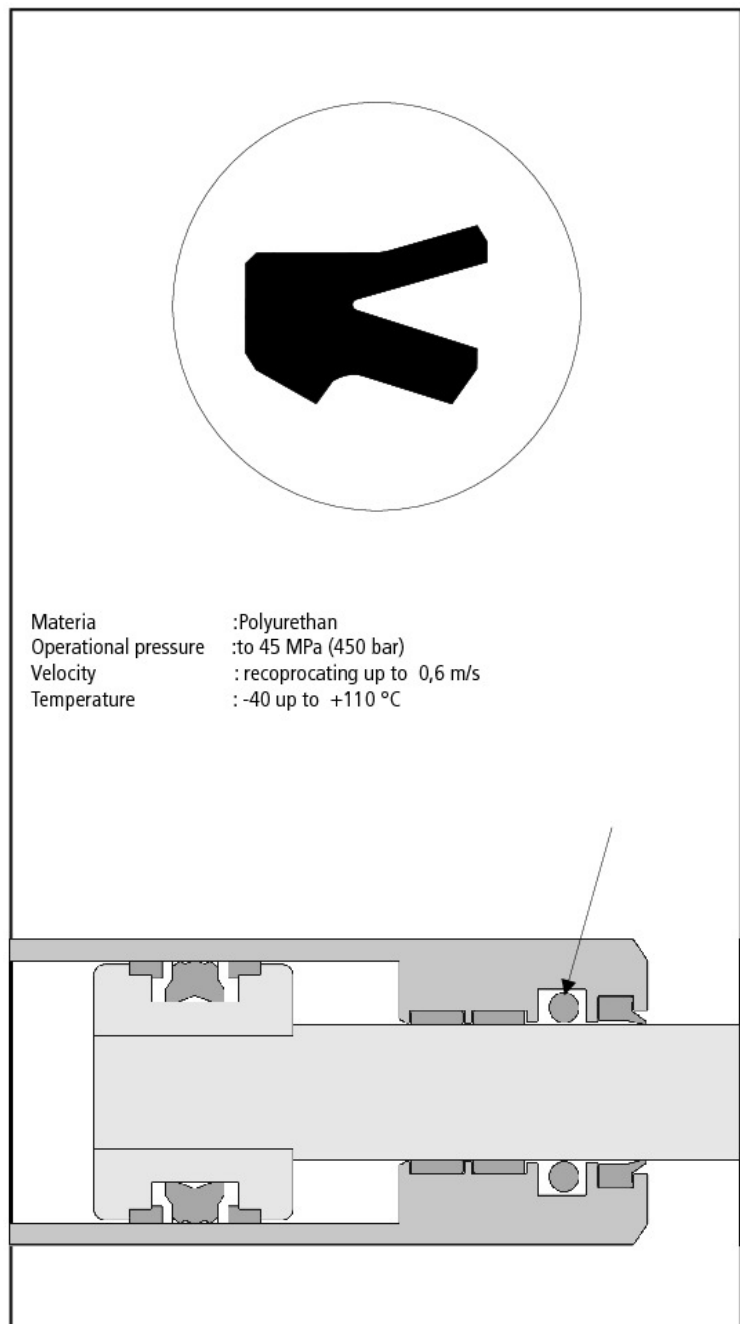


The rod seals of series HS 233 are a consequent forwarded development of our long period range of rod seals.

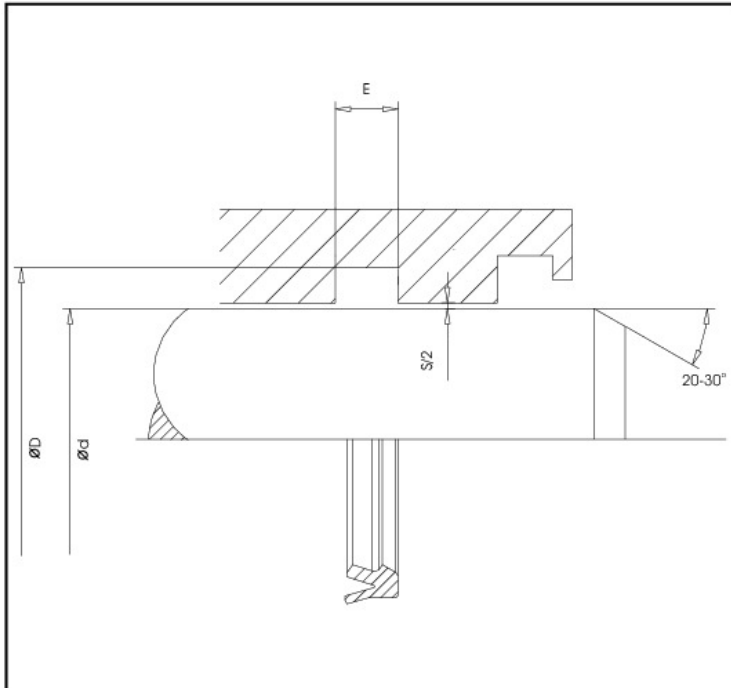
The strong designed dynamic sealing lips guarantee a high sealing with clear reduced friction in the totally pressure section.

Special Features:

- Anti-wear modified Polyurethan mixture
- High resistance of extrusion
- Higher pre-stressing is resultating very good sealing conditions also in static applications
- Easy snap-on assembly possible in closed grooves
- Compact assembly spaces
- Assembly spaces as per ISO 5597



Materia	: Polyurethan
Operational pressure	: to 45 MPa (450 bar)
Velocity	: recoprating up to 0,6 m/s
Temperature	: -40 up to +110 °C



Limitations on Use

Operational pressure	: to 45 MPa (450 bar)
Velocity	: reciprocating up to 0.6 m/s
Temperature	: -40 up to +110 °C

Media of Use

Mineral oil based hydraulic oils, flame resistant pressure media and bio oils on request

Surfacing Finish

Surface	Rz	Ra
faces	2,0 µm	0,3 µm
groove root	6,3 µm	1,6 µm
groove flank	10,0 µm	3,2 µm

Diameter Clearance

Max. diameter clearance S [mm]	pressure [bar]
1,00	100
0,80	150
0,60	200
0,40	400

d f8/h9	D H10	E +0,2	Part N°		
18,00	26,00	6,30	HS233 0180-01-200		
20,00	28,00	6,30	HS233 0200-01-200		
22,00	32,00	8,00	HS233 0220-01-200		
25,00	33,00	6,30	HS233 0250-01-200		
25,00	35,00	8,00	HS233 0250-02-200		
28,00	36,00	6,30	HS233 0280-01-200		
30,00	38,00	6,30	HS233 0300-01-200		
30,00	40,00	8,00	HS233 0300-02-200		
32,00	42,00	8,00	HS233 0320-01-200		
32,00	40,00	8,00	HS233 0320-02-200		
35,00	45,00	8,00	HS233 0350-01-200		
35,00	43,00	6,30	HS233 0350-02-200		
36,00	44,00	6,30	HS233 0360-01-200		
36,00	46,00	8,00	HS233 0360-02-200		
40,00	48,00	6,30	HS233 0400-01-200		
40,00	50,00	8,00	HS233 0400-02-200		
45,00	53,00	8,00	HS233 0450-01-200		
45,00	55,00	8,00	HS233 0450-02-200		
50,00	60,00	8,00	HS233 0500-01-200		
50,00	65,00	9,50	HS233 0500-02-200		
50,00	65,00	12,50	HS233 0500-03-200		
55,00	63,00	9,00	HS233 0550-01-200		
55,00	65,00	8,00	HS233 0550-02-200		
55,00	70,00	9,50	HS233 0550-03-200		
56,00	71,00	12,50	HS233 0560-01-200		
56,00	66,00	8,00	HS233 0560-02-200		
60,00	68,00	8,00	HS233 0600-02-200		
60,00	70,00	8,00	HS233 0600-01-200		
60,00	75,00	9,50	HS233 0600-03-200		
60,00	75,00	12,50	HS233 0600-04-200		
61,00	69,00	8,00	HS233 0610-01-200		
63,00	78,00	9,50	HS233 0630-01-200		

Dimensions in bold correspond to mounting space as per DIN ISO 5597

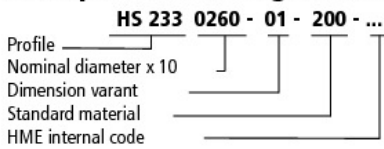


d f8/h9	D H10	E +0,2	Part N°		
63,00	78,00	11,00	HS233 0630-02-200		
63,00	78,00	12,50	HS233 0630-03-200		
65,00	73,00	9,00	HS233 0650-01-200		
65,00	77,00	9,50	HS233 0650-02-200		
65,00	80,00	9,50	HS233 0650-03-200		
65,00	80,00	12,50	HS233 0650-04-200		
65,00	85,00	12,50	HS233 0650-05-200		
68,00	76,00	8,00	HS233 0680-01-200		
70,00	80,00	8,00	HS233 0700-01-200		
70,00	82,00	9,50	HS233 0700-02-200		
70,00	85,00	9,50	HS233 0700-03-200		
70,00	85,00	12,50	HS233 0700-04-200		
70,00	90,00	12,50	HS233 0700-05-200		
75,00	83,00	8,00	HS233 0750-01-200		
75,00	87,00	9,50	HS233 0750-02-200		
75,00	90,00	9,50	HS233 0750-03-200		
75,00	90,00	12,50	HS233 0750-04-200		
75,00	95,00	12,50	HS233 0750-05-200		
80,00	90,00	8,00	HS233 0800-01-200		
80,00	92,00	9,50	HS233 0800-02-200		
80,00	95,00	9,50	HS233 0800-03-200		
80,00	95,00	12,50	HS233 0800-04-200		
85,00	95,00	9,50	HS233 0850-01-200		
85,00	93,00	9,00	HS233 0850-02-200		
85,00	97,00	9,50	HS233 0850-03-200		
85,00	100,00	9,50	HS233 0850-04-200		
85,00	100,00	12,50	HS233 0850-05-200		
85,00	105,00	12,50	HS233 0850-06-200		
90,00	98,00	8,00	HS233 0900-01-200		
90,00	102,00	9,50	HS233 0900-02-200		
90,00	105,00	9,50	HS233 0900-03-200		
90,00	105,00	12,50	HS233 0900-04-200		
90,00	110,00	12,50	HS233 0900-05-200		
95,00	110,00	12,50	HS233 0950-01-200		
95,00	115,00	12,50	HS233 0600-04-200		
100,00	115,00	9,50	HS233 1000-01-200		
100,00	115,00	12,50	HS233 1000-02-200		
100,00	120,00	12,50	HS233 1000-03-200		
105,00	113,00	8,00	HS233 1050-01-200		
105,00	113,00	9,00	HS233 1050-02-200		
105,00	125,00	12,50	HS233 1050-03-200		
105,00	125,00	16,00	HS233 1050-04-200		
110,00	125,00	9,50	HS233 1100-01-200		
110,00	125,00	12,50	HS233 1100-02-200		
110,00	130,00	12,50	HS233 1100-03-200		
110,00	130,00	16,00	HS233 1100-04-200		
120,00	128,00	8,00	HS233 1200-01-200		
120,00	140,00	12,50	HS233 1200-02-200		
120,00	140,00	16,00	HS233 1200-03-200		
125,00	133,00	9,00	HS233 1250-01-200		
130,00	150,00	12,50	HS233 1300-01-200		
130,00	150,00	16,00	HS233 1300-02-200		
135,00	143,00	9,00	HS233 1350-01-200		
140,00	148,00	8,00	HS233 1400-01-200		
140,00	160,00	16,00	HS233 1400-02-200		
160,00	180,00	16,00	HS233 1600-01-200		
200,00	220,00	12,50	HS233 2000-01-200		
280,00	330,00	12,50	HS233 2800-01-200		

Dimensions in bold correspond to mounting space as per DIN ISO 5597.
Further sizes available on request



Example for ordering Rod Seal:



Issue

01	05
----	----

WARNING: Limits of application stated herein are standard values. They could be individually transgressed with due consideration to respective service conditions. In the event of a large duty cycle, pulsating operation and other complex operational conditions, simultaneous transgression of these values is not recommended. Due to a large variety of service conditions that may arise in course of actual use, the company does not take responsibility of or guarantee the functional accuracy of the individual components. Rights for changes are reserved.