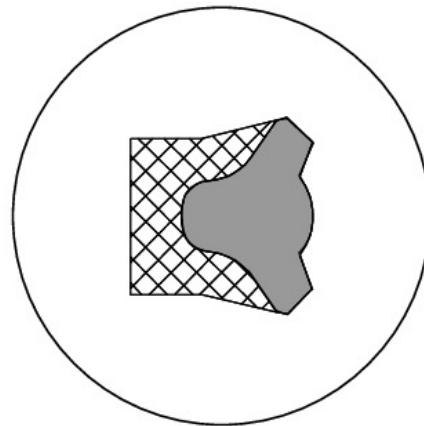




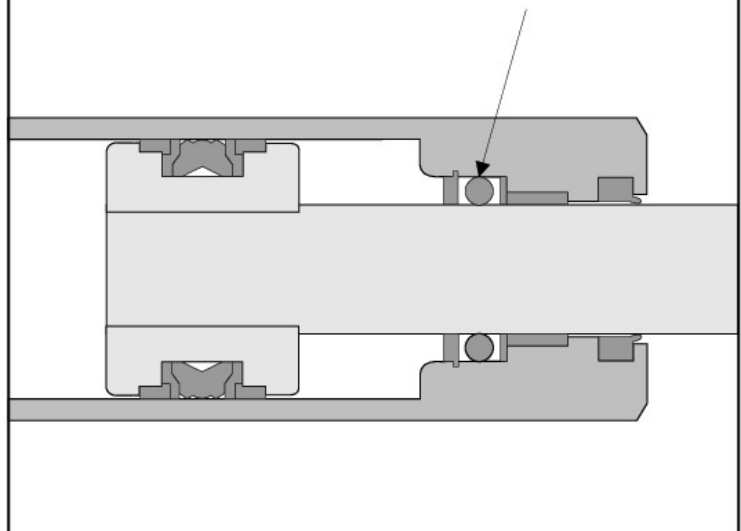
Fabric reinforced NBR rod seals from the HS 205 series have a very good anti-stick-slip tendency due to their special profile.

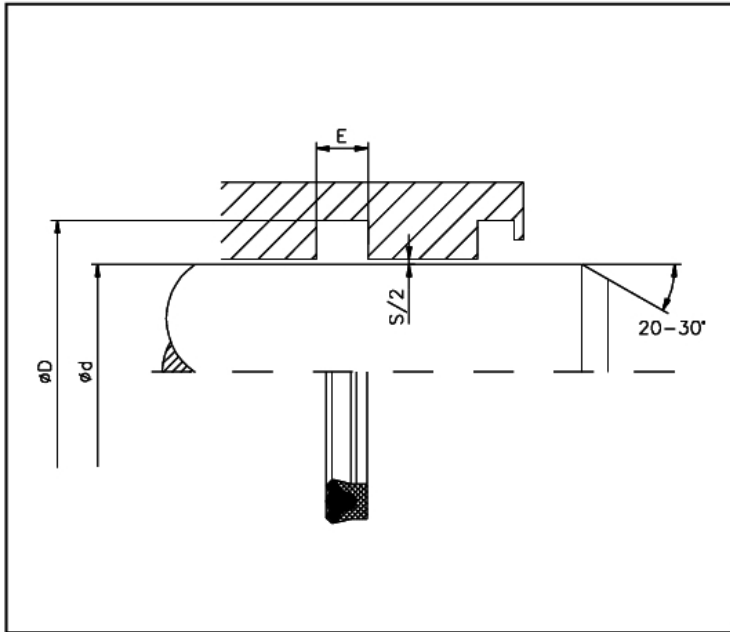
Special Features:

- Good dynamic and static sealing
- Long life due to high abrasion resistance
- Optimal service life and sealing due to special profile of sealing element
- Easy snap-on assembly possible in closed grooves
- Small mounting space
- All sizes available in quality FPM material



Material : NBR fiber reinforced
Operating pressure : up to 25 MPa (250 bar)
Velocity : reciprocating to 0.5 m/s
Temperature : -30 to +110 °C





Limitations on Use	
Operating pressure	: up to 25 MPa (250 bar)
Velocity	: reciprocating to 0.5 m/s
Temperature	: -30 to +110 °C

Media for Use	
Mineral oil based hydraulic oils, flame resistant pressure media and emulsions (HFA, HFB, HFC), non-polluting pressure fluids (Bio Oils).	

Surface Finish		
Surfaces	Rz	Ra
Faces	2,0 μm	0,3 μm
Groove root	4,0 μm	0,8 μm
Groove flanks	8,0 μm	1,8 μm

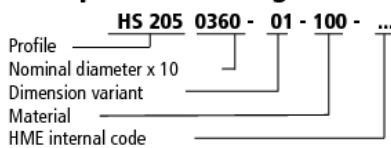
Diameter Clearance		
max. Diameter Clearance	Max. Pressure	
S [mm]	[mm]	
0,40	100	
0,30	150	
0,20	250	

d f8/h9	D H10	E +0,2	Part N°
5,00	12,00	6,40	HS205 0050-01-100
6,00	13,00	6,40	HS205 0060-01-100
8,00	15,00	6,40	HS205 0080-01-100
10,00	17,00	6,40	HS205 0100-01-100
12,00	19,00	6,40	HS205 0120-01-100
14,00	22,00	6,40	HS205 0140-01-100
15,00	23,00	6,40	HS205 0150-01-100
16,00	24,00	6,40	HS205 0160-01-100
18,00	26,00	6,40	HS205 0180-01-100
20,00	28,00	6,40	HS205 0200-01-100
22,00	30,00	6,40	HS205 0220-01-100
25,00	33,00	6,40	HS205 0250-01-100
28,00	36,00	6,40	HS205 0280-01-100
30,00	38,00	6,40	HS205 0300-01-100
32,00	40,00	6,40	HS205 0320-01-100
35,00	43,00	6,40	HS205 0350-01-100
36,00	44,00	6,40	HS205 0360-01-100
40,00	48,00	6,40	HS205 0400-01-100
42,00	50,00	6,40	HS205 0420-01-100
45,00	55,00	8,00	HS205 0450-01-100

d f8/h9	D H10	E +0,2	Part N°
50,00	60,00	8,00	HS205 0500-01-100
55,00	65,00	8,00	HS205 0550-01-100
56,00	66,00	8,00	HS205 0560-01-100
60,00	70,00	8,00	HS205 0600-01-100
63,00	75,00	9,60	HS205 0630-01-100
65,00	77,00	9,60	HS205 0650-01-100
70,00	82,00	9,60	HS205 0700-01-100
75,00	87,00	9,60	HS205 0750-01-100
80,00	92,00	9,60	HS205 0800-01-100
85,00	97,00	9,60	HS205 0850-01-100
90,00	102,00	9,60	HS205 0900-01-100
100,00	115,00	12,00	HS205 1000-01-100
110,00	125,00	12,00	HS205 1100-01-100
115,00	130,00	12,00	HS205 1150-01-100
125,00	140,00	12,00	HS205 1250-01-100
140,00	160,00	16,00	HS205 1400-01-100
150,00	170,00	16,00	HS205 1500-01-100
160,00	180,00	16,00	HS205 1600-01-100
180,00	200,00	16,00	HS205 1800-01-100
200,00	220,00	16,00	HS205 2000-01-100

These sizes also available in FPM. Further sizes/measurements and imperial sizes available on request.

Example for ordering Rod Seal:



Material Key:

100 - NBR
120 - FPM

Issue

01 05

WARNING: Limits of application stated herein are standard values. They could be individually transgressed with due consideration to respective service conditions. In the event of a large duty cycle, pulsating operation and other complex operational conditions, simultaneous transgression of these values is not recommended. Due to a large variety of service conditions that may arise in course of actual use, the company does not take responsibility of or guarantee the functional accuracy of the individual components. Rights for changes are reserved.