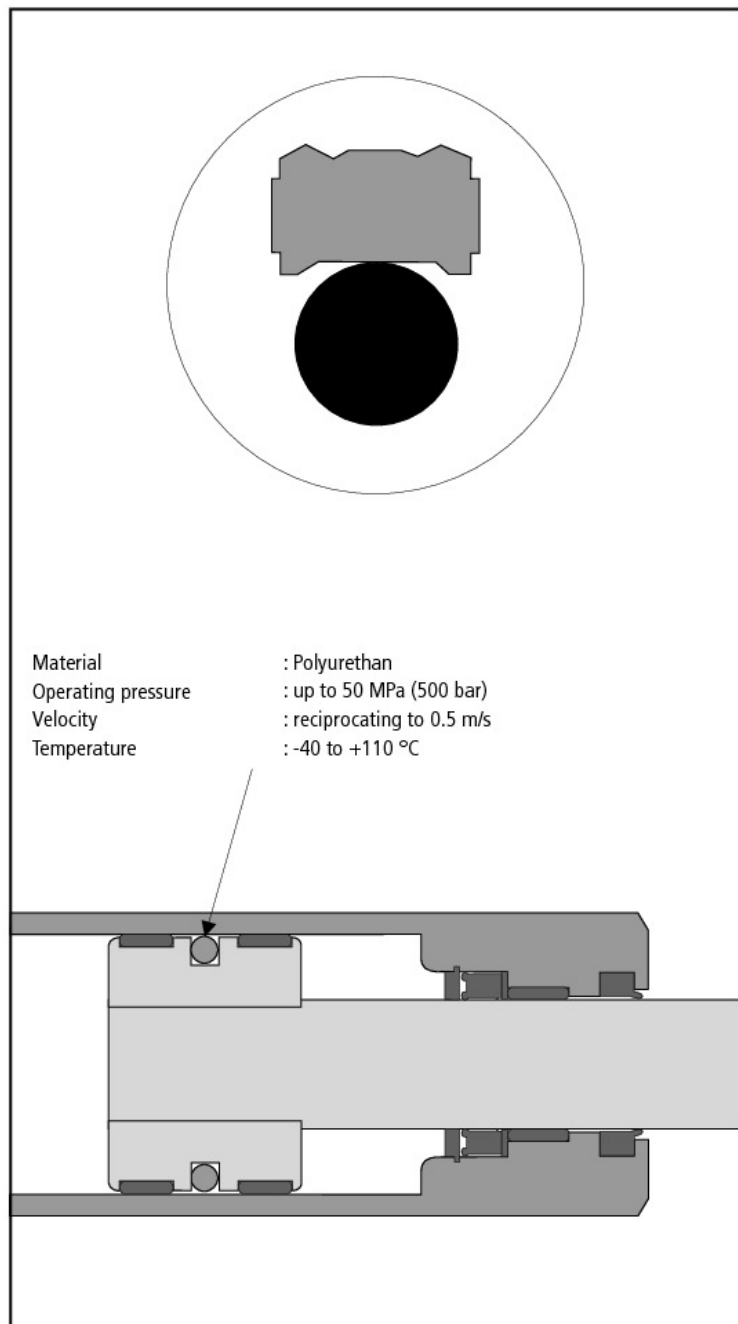
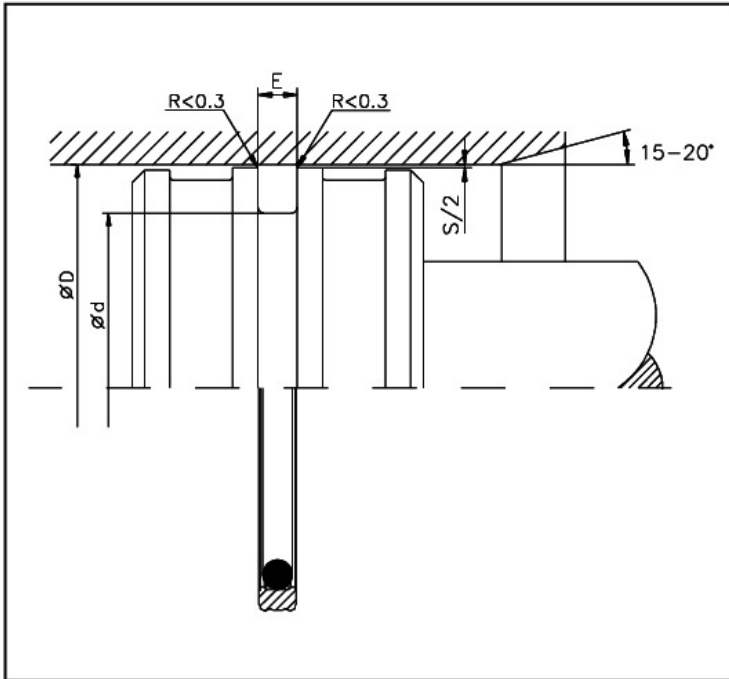
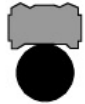


Series HK 149 is a double acting seal for intermediate stress hydraulic applications. Modified Polyurethan material and special profile ensure excellent sealing behaviour and very low frictional losses.

### Special Features::

- Two component construction consisting of elastomer profile gasket and O-ring as pre stressing element
- Very good shear characteristics
- Excellent dynamic and static sealing
- Long life, good abrasion resistance
- Very good anti extrusion behaviour
- Easy assembly in case of single pieces pistons
- Price wise convenient variant as compared to PTFE material
- Extensive range of sizes, also for assembly/mounting space as per ISO 7425





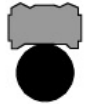
Limitations on Use	
Operating pressure	: up to 50 MPa (500 bar)
Velocity	: reciprocating to 0.5 m/s
Temperature	: -40 to +110 °C

Media for Use	
Mineral oil based pressure fluids, Bio Oils and flame resistant pressure fluids on demand.	

Surface Finish			
Surfaces	Rmax	Rz	Ra
Faces	2,5 µm	1,6 µm	0,4 µm
Groove root	5,0 µm	4,6 µm	0,8 µm
Groove flanks	10,0 µm	6,9 µm	1,6 µm

Diameter Clearance	
Max. Clearance S [mm]	Max. Pressure [bar]
1,60	100
0,80	200
0,34	400
0,20	500

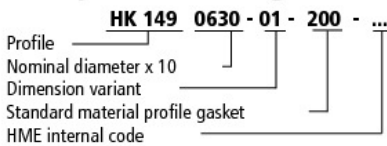
D H9	d h9	E +0,2	O-Ring	Part N°.
16,00	8,50	3,20	109	HK149 0160-01-200
20,00	12,50	3,20	112	HK149 0200-01-200
25,00	17,50	3,20	115	HK149 0250-01-200
25,00	14,00	4,20	207	HK149 0250-02-200
30,00	22,50	3,20	118	HK149 0300-01-200
32,00	24,50	3,20	119	HK149 0320-01-200
32,00	21,00	4,20	211	HK149 0320-02-200
35,00	27,50	3,20	121	HK149 0350-01-200
40,00	32,50	3,20	124	HK149 0400-01-200
40,00	29,00	4,20	216	HK149 0400-02-200
40,00	24,50	6,30	318	HK149 0400-03-200
45,00	34,00	4,20	219	HK149 0450-01-200
45,00	29,50	6,30	320	HK149 0450-02-200
50,00	39,00	4,20	222	HK149 0500-01-200
50,00	34,50	6,30	324	HK149 0500-02-200
52,00	36,50	6,30	324	HK149 0520-01-200
55,00	44,00	4,20	224	HK149 0550-01-200
55,00	39,50	6,30	325	HK149 0550-02-200
60,00	49,00	4,20	225	HK149 0600-01-200
60,00	44,50	6,30	327	HK149 0600-02-200
63,00	52,00	4,20	226	HK149 0630-01-200
63,00	47,50	6,30	328	HK149 0630-02-200
65,00	54,00	4,20	227	HK149 0650-01-200
65,00	49,50	6,30	328	HK149 0650-02-200
70,00	59,00	4,20	228	HK149 0700-01-200
70,00	54,50	6,30	330	HK149 0700-02-200
75,00	64,00	4,20	230	HK149 0750-01-200
75,00	59,50	6,30	331	HK149 0750-02-200
80,00	69,00	4,20	842	HK149 0800-01-200
80,00	64,50	6,30	333	HK149 0800-02-200
85,00	69,50	6,30	335	HK149 0850-01-200
90,00	74,50	6,30	336	HK149 0900-01-200
100,00	84,50	6,30	339	HK149 1000-01-200



D H9	d h9	E +0,2	O-Ring	Part N°.
110,00	94,50	6,30	343	HK149 1100-01-200
120,00	104,50	6,30	346	HK149 1200-01-200
<b>125,00</b>	<b>109,50</b>	<b>6,30</b>	<b>347</b>	<b>HK149 1250-01-200</b>
130,00	114,50	6,30	349	HK149 1300-01-200
140,00	119,00	8,10	426	HK149 1400-01-200
150,00	129,00	8,10	430	HK149 1500-01-200
160,00	139,00	8,10	433	HK149 1600-01-200
170,00	149,00	8,10	436	HK149 1700-01-200
180,00	159,00	8,10	438	HK149 1800-01-200
200,00	179,00	8,10	441	HK149 2000-01-200
250,00	229,00	8,10	447	HK149 2500-01-200

Dimensions in bold face correspond to ISO 7425-1 for mounting spaces.  
Further dimensions available on demand.

### Example for ordering Piston Seal:



Issue

01	05
----	----

**WARNING:** Limits of application stated herein are standard values. They could be individually transgressed with due consideration to respective service conditions. In the event of a large duty cycle, pulsating operation and other complex operational conditions, simultaneous transgression of these values is not recommended. Due to a large variety of service conditions that may arise in course of actual use, the company does not take responsibility of or guarantee the functional accuracy of the individual components. Rights for changes are reserved.