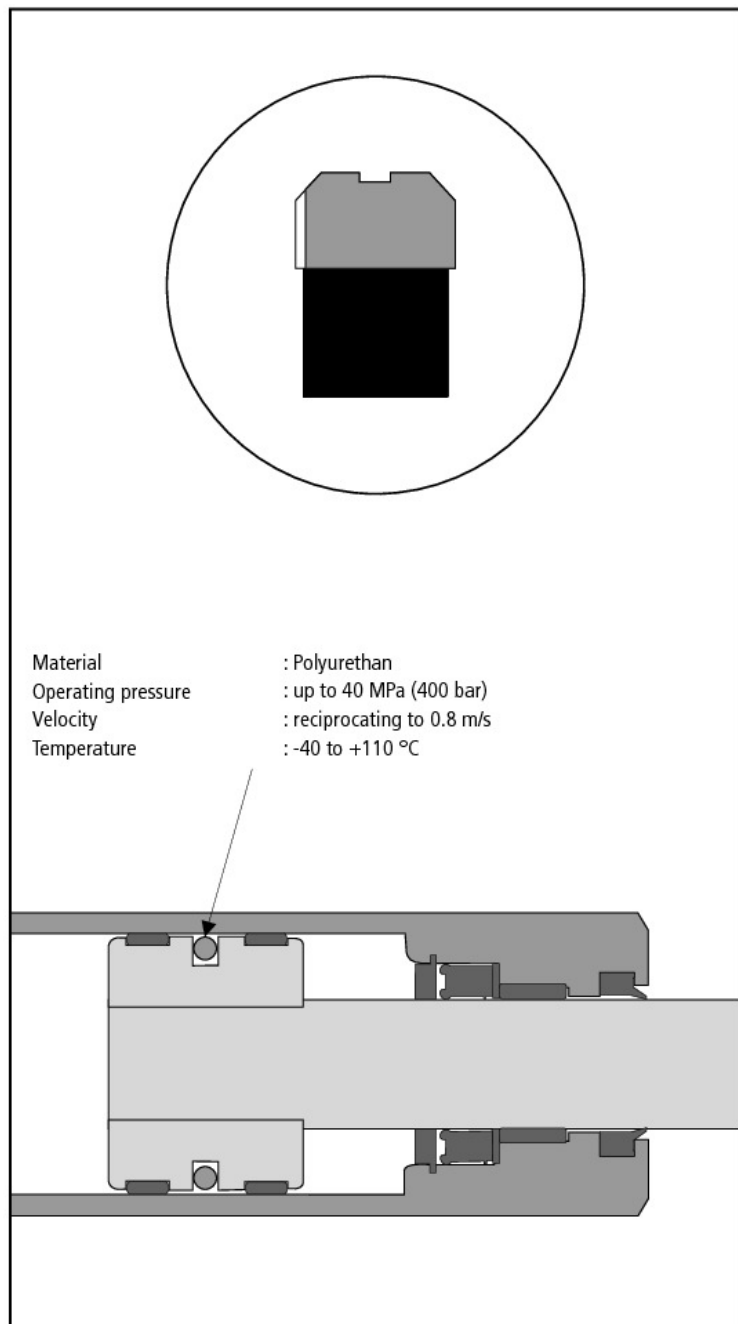
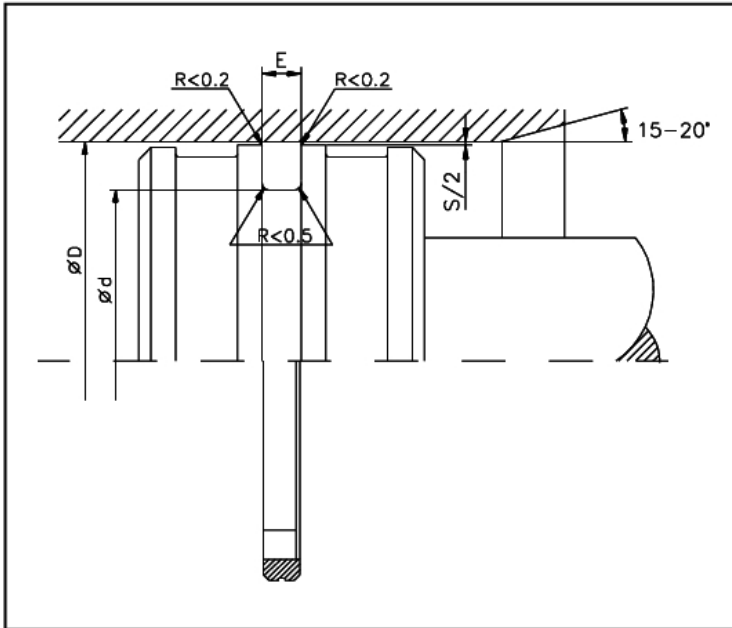
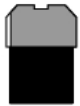


This double action series HK 146 is meant for intermediate stress hydraulic application. Polyurethan sealing element guarantees high functional reliability and life. The material choice is advantageous in anti wear behaviour and sealing function static area.

### Special Features::

- Two component construction consisting of PU profile gasket and rectangular ring
- Low friction due to oil groove on sealing geometry
- Better dynamic and static sealing
- Large abrasion resistance, long life
- Low compression set, high elastic modulus
- Simple assembly in case of single part piston, no danger of damage during assembly
- Extensive range of dimensions even for assembly space as per ISO 7425-1.





Limitations on Use	
Operating pressure	: up to 40 MPa (400 bar)
Velocity	: reciprocating to 0.8 m/s
Temperature	: -40 to +110 °C

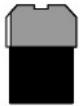
Media for Use	
Mineral oil based pressure fluids, Bio Oils and flame resistant fluids on demand.	

Surface Finish			
Surfaces	Rmax	Rz	Ra
Faces	2,5 µm	1,7 µm	0,3 µm
Groove root	5,0 µm	4,6 µm	0,8 µm
Groove flanks	10,0 µm	6,9 µm	1,6 µm

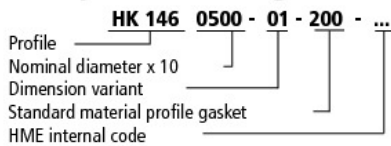
Diameter Clearance	
Max. Clearance S [mm]	Max. Pressure MPa (bar)
0,70	16 (160)
0,50	25 (250)
0,40	40 (400)

D H9	d h9	E +0,2	Part N°.
<b>40,00</b>	<b>29,00</b>	<b>4,20</b>	<b>HK146 0400-01-200</b>
45,00	34,00	4,20	HK146 0450-01-200
45,00	32,00	6,30	HK146 0450-02-200
<b>50,00</b>	<b>34,50</b>	<b>6,30</b>	<b>HK146 0500-01-200</b>
<b>50,00</b>	<b>39,00</b>	<b>4,20</b>	<b>HK146 0500-02-200</b>
55,00	44,00	4,20	HK146 0550-01-200
60,00	44,50	6,30	HK146 0600-01-200
60,00	49,00	4,20	HK146 0600-02-200
<b>63,00</b>	<b>47,50</b>	<b>6,30</b>	<b>HK146 0630-01-200</b>
<b>63,00</b>	<b>52,00</b>	<b>4,20</b>	<b>HK146 0630-02-200</b>
65,00	54,00	4,20	HK146 0650-01-200
65,00	52,00	6,30	HK146 0650-02-200
70,00	59,00	4,20	HK146 0700-01-200
75,00	59,50	6,30	HK146 0750-01-200
75,00	62,00	6,30	HK146 0750-02-200
<b>80,00</b>	<b>64,50</b>	<b>6,30</b>	<b>HK146 0800-01-200</b>
80,00	66,50	6,30	HK146 0800-02-200
90,00	74,50	6,30	HK146 0900-01-200
<b>100,00</b>	<b>84,50</b>	<b>6,30</b>	<b>HK146 1000-01-200</b>
110,00	94,50	6,30	HK146 1100-01-200
120,00	104,50	6,30	HK146 1200-01-200
<b>125,00</b>	<b>109,50</b>	<b>6,30</b>	<b>HK146 1250-01-200</b>
130,00	109,00	8,10	HK146 1300-01-200
130,00	114,50	6,30	HK146 1300-02-200
140,00	119,00	8,10	HK146 1400-01-200
150,00	134,50	6,30	HK146 1500-01-200
<b>160,00</b>	<b>139,00</b>	<b>8,10</b>	<b>HK146 1600-01-200</b>
<b>160,00</b>	<b>144,50</b>	<b>6,30</b>	<b>HK146 1600-02-200</b>
180,00	164,50	6,30	HK146 1800-01-200
<b>200,00</b>	<b>179,00</b>	<b>8,10</b>	<b>HK146 2000-01-200</b>
220,00	199,00	8,10	HK146 2200-01-200
<b>250,00</b>	<b>229,00</b>	<b>8,10</b>	<b>HK146 2500-01-200</b>
280,00	259,00	8,10	HK146 2800-01-200
<b>320,00</b>	<b>299,00</b>	<b>8,10</b>	<b>HK146 3200-01-200</b>

Extensive range of inch measurement diagrams available on request.



### Example for ordering Piston Seal:



Issue

01	05
----	----

**WARNING:** Limits of application stated herein are standard values. They could be individually transgressed with due consideration to respective service conditions. In the event of a large duty cycle, pulsating operation and other complex operational conditions, simultaneous transgression of these values is not recommended. Due to a large variety of service conditions that may arise in course of actual use, the company does not take responsibility of or guarantee the functional accuracy of the individual components. Rights for changes are reserved.