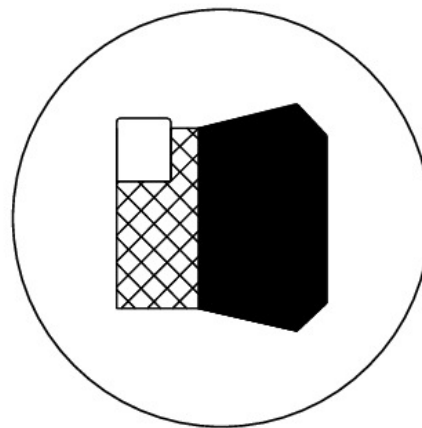




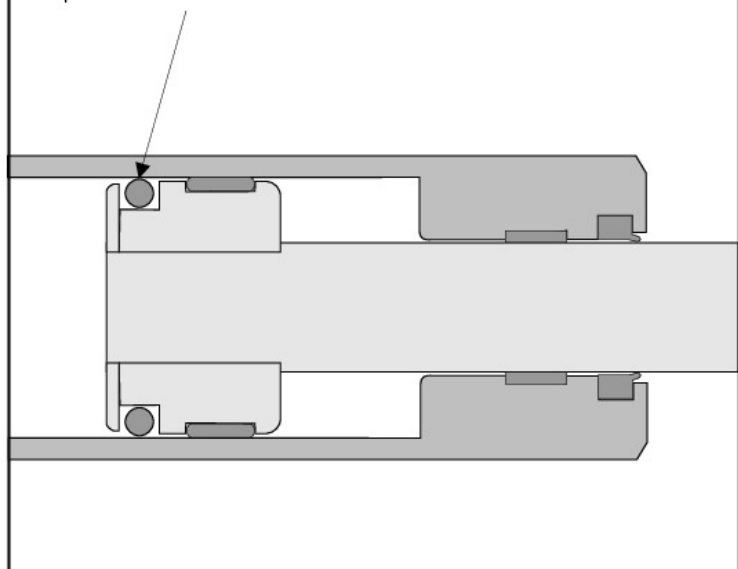
This single acting piston seal with integrated thrust ring is of use in applications involving shock and so called "cylinder breathing".

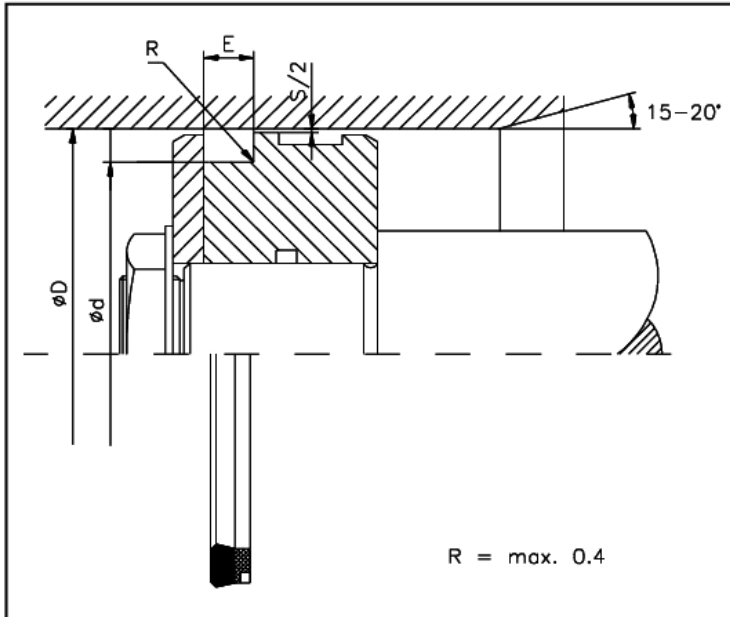
Special Features::

- Two part construction consisting of profile gasket with integrated fabric material and polyacetal thrust ring
- Very good shear characteristics
- Heavy duty anti-wear NBR-fabric combination
- Very good dynamic and static sealing
- Assembly in multiple part pistons
- Small assembly space
- Material as FPM with PTFE thrust ring also available.



Material	: NBR fiber reinforced
Operating pressure	: up to 40 MPa (400 bar)
Velocity	: reciprocating to 0.5 m/s
Temperature	: -30 to +110 °C





Limitations on Use	
Operating Pressure	: maximum 40 MPa (400 bar)
Velocity	: reciprocating to 0.5 m/s
Temperature	: -30 to +110 °C

Media for Use	
Mineral oil based hydraulic oils, flame resistant pressure media and emulsions (HFA, HFB, HFC), Bio Oils.	

Surface Finish		
Surfaces	Rz	Ra
Faces	2,0 µm	0,3 µm
Groove root	4,0 µm	0,8 µm
Groove flanks	8,0 µm	1,8 µm

Diameter Clearance	
max. Diameter Tolerance	Maximum Pressure
S [mm]	[bar]
0,40	200
0,30	300
0,20	400

D H10	d h10	E +0,2	Part N°.
25,00	12,00	10,00	HK120 0250-01-100
40,00	26,00	9,50	HK120 0400-01-100
45,00	35,00	9,00	HK120 0450-01-100
45,00	30,00	9,50	HK120 0450-02-100
50,00	30,00	14,50	HK120 0500-01-100
50,00	38,00	9,90	HK120 0500-02-100
50,00	40,00	10,50	HK120 0500-03-100
55,00	40,00	11,00	HK120 0550-01-100
60,00	40,00	14,50	HK120 0600-01-100
65,00	45,00	14,50	HK120 0650-01-100
65,00	50,00	10,50	HK120 0650-02-100
65,00	50,00	11,00	HK120 0650-03-100
70,00	50,00	14,50	HK120 0700-01-100
75,00	60,00	12,50	HK120 0750-01-100
80,00	60,00	14,50	HK120 0800-01-100
80,00	65,00	11,50	HK120 0800-02-100
80,00	65,00	12,50	HK120 0800-03-100
85,00	70,00	12,50	HK120 0850-01-100
90,00	70,00	14,50	HK120 0900-01-100
90,00	75,00	12,50	HK120 0900-02-100
95,00	75,00	14,50	HK120 0950-01-100
95,00	80,00	12,50	HK120 0950-02-100
100,00	80,00	14,50	HK120 1000-01-100
100,00	85,00	12,50	HK120 1000-02-100

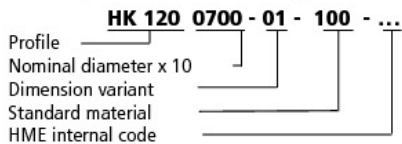
D H10	d h10	E +0,2	Part N°.
104,50	85,00	14,50	HK120 1045-01-100
105,00	85,00	14,50	HK120 1050-01-100
110,00	90,00	13,00	HK120 1100-01-100
110,00	95,00	12,50	HK120 1100-02-100
110,00	95,00	13,00	HK120 1100-03-100
115,00	95,00	14,50	HK120 1150-01-100
115,00	103,00	12,50	HK120 1150-02-100
120,00	100,00	13,00	HK120 1200-01-100
125,00	100,00	14,50	HK120 1250-01-100
125,00	105,00	12,50	HK120 1250-02-100
125,00	105,00	15,50	HK120 1250-03-100
130,00	110,00	12,50	HK120 1300-01-100
130,00	110,00	15,50	HK120 1300-02-100
140,00	120,00	12,50	HK120 1400-01-100
140,00	120,00	15,50	HK120 1400-02-100
145,00	130,00	9,50	HK120 1450-01-100
150,00	130,00	15,50	HK120 1500-01-100
160,00	140,00	15,50	HK120 1600-01-100
180,00	160,00	15,50	HK120 1800-01-100
200,00	180,00	15,50	HK120 2000-01-100
220,00	190,00	18,50	HK120 2200-01-100
250,00	215,00	20,50	HK120 2500-01-100
280,00	245,00	20,50	HK120 2800-01-100
320,00	280,00	23,50	HK120 3200-01-100
360,00	320,00	23,50	HK120 3600-01-100

Above sizes also available in FPM.

Further sizes and imperial measurements as well as an extensive range of inch measurement diagrams available on request.



Example for ordering Piston Seal:



Material Key:

Gasket
100 - NBR
120 - FPM

WARNING: Limits of application stated herein are standard values. They could be individually transgressed with due consideration to respective service conditions. In the event of a large duty cycle, pulsating operation and other complex operational conditions, simultaneous transgression of these values is not recommended. Due to a large variety of service conditions that may arise in course of actual use, the company does not take responsibility of or guarantee the functional accuracy of the individual components. Rights for changes are reserved.

Issue

01	05
----	----