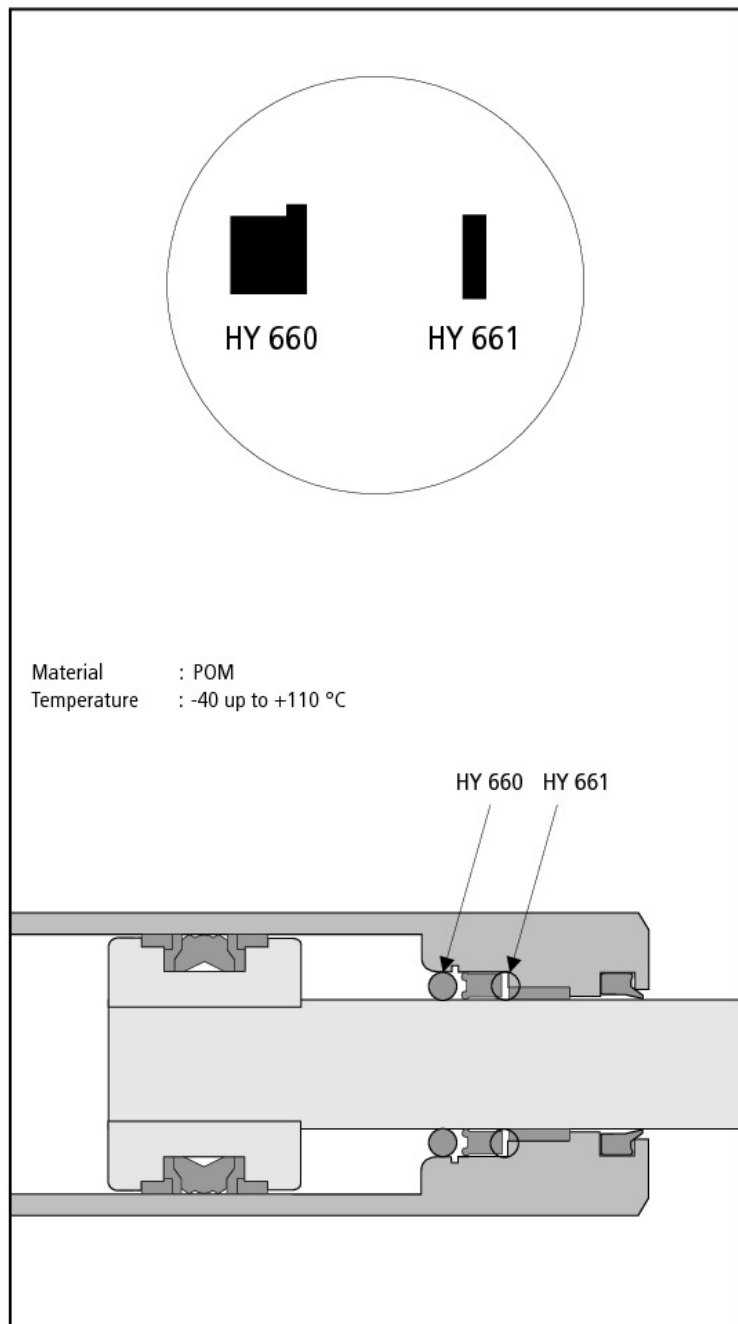
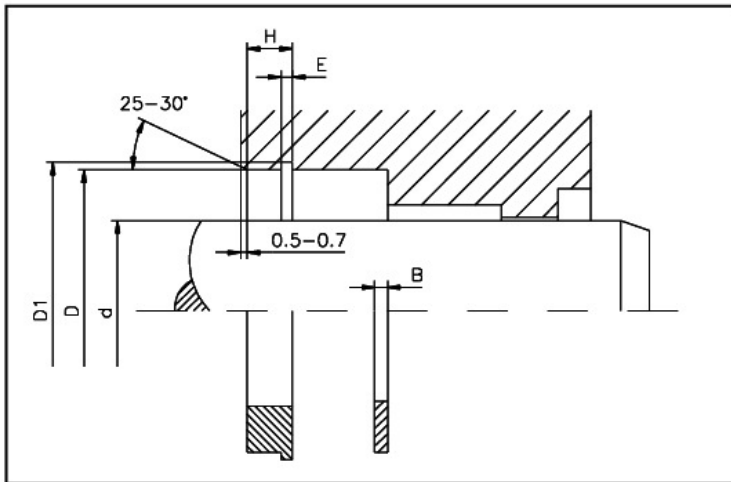


The ring HY 660 and the related model back ring HY 661 contain special parts that are essential to the so called - modern open assembly space - and the resultant sealing system.

Special Features:

- Slotted / split design of safety ring for easy snap on assembly in groove.
- Two holes near the place of cut considerably simple assembly.
- Longitudinal grooves on periphery provide quick response of sealing
- Back ring from un-splitted POM also provide a simple assembly.
- Split extrusion avoided because of the sealing variant introduced corresponding to the demand
- Support of slide element on return stroke to the seal / gasket.
- As a whole exceptionally assembly friendly, safe and price-worthy compared to conventional closed mounting spaces.



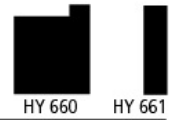


Limitations on Use	
Temperature	: -40 up to +110 °C

Media for Use	
Mineral oil based pressure fluids, flame resistant fluids (HFA, HFB, HFC,) bio oils, water, air and other media on enquiry	

Tolerances for Mounting space HY 660					
Ø D	< 47	48 - 76	77 - 100	101 - 115	116 - 175
Ø D 1	+ 0,25 - 0,00	+ 0,30 - 0,00	+ 0,35 - 0,00	+ 0,54 - 0,00	+ 0,63 - 0,00
E	+ 0,14 - 0,00	+ 0,14 - 0,00	+ 0,18 - 0,00	+ 0,18 - 0,00	+ 0,20 - 0,00

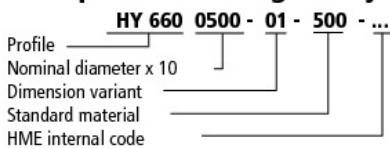
d f8/h9	D H10	D1	E	H	B	Part No. Safety ring	Part No. Back ring
12,00	20,00	21,20	1,30	4,50	2,00	HY660 0120-01-500	HY661 0120-01-500
16,00	24,00	25,20	1,30	4,50	2,00	HY660 0160-01-500	HY661 0160-01-500
20,00	30,00	31,40	1,30	4,50	2,00	HY660 0200-01-500	HY661 0200-01-500
20,00	45,00	47,50	1,85	5,00	2,00	HY660 0200-02-500	HY661 0200-02-500
22,00	30,00	31,40	1,30	4,50	2,00	HY660 0220-01-500	HY661 0220-01-500
25,00	35,00	37,00	1,60	5,00	2,00	HY660 0250-01-500	HY661 0250-01-500
28,00	38,00	40,00	1,60	5,00	2,00	HY660 0280-01-500	HY661 0280-01-500
28,00	45,00	47,50	1,85	5,00	2,00	HY660 0280-02-500	HY661 0280-02-500
30,00	40,00	42,50	1,85	5,00	2,00	HY660 0300-01-500	HY661 0300-01-500
32,00	40,00	42,50	1,85	5,00	2,00	HY660 0320-01-500	HY661 0320-01-500
32,00	42,00	44,50	1,85	5,00	2,00	HY660 0320-02-500	HY661 0320-02-500
35,00	45,00	47,50	1,85	5,00	2,00	HY660 0350-01-500	HY661 0350-01-500
35,00	50,00	53,00	2,15	5,00	2,00	HY660 0350-02-500	HY661 0350-02-500
36,00	46,00	48,50	1,85	5,00	2,00	HY660 0360-01-500	HY661 0360-01-500
40,00	50,00	53,00	2,15	5,00	2,00	HY660 0400-01-500	HY661 0400-01-500
40,00	55,00	58,00	2,15	5,00	2,00	HY660 0400-02-500	HY661 0400-02-500
45,00	55,00	58,00	2,15	5,00	2,00	HY660 0450-01-500	HY661 0450-01-500
45,00	65,00	68,00	2,65	6,00	2,00	HY660 0450-02-500	HY661 0450-02-500
50,00	60,00	63,00	2,15	5,00	2,00	HY660 0500-01-500	HY661 0500-01-500
50,00	65,00	68,00	2,65	6,00	2,00	HY660 0500-02-500	HY661 0500-02-500
50,00	70,00	73,00	2,65	6,00	2,00	HY660 0500-03-500	HY661 0500-03-500
56,00	66,00	69,00	2,65	6,00	2,00	HY660 0560-01-500	HY661 0560-01-500
56,00	71,00	74,00	2,65	6,00	2,00	HY660 0560-02-500	HY661 0560-02-500
60,00	75,00	78,00	2,65	6,00	2,00	HY660 0600-01-500	HY661 0600-01-500
60,00	80,00	83,00	2,65	6,00	2,00	HY660 0600-02-500	HY661 0600-02-500
63,00	78,00	81,00	2,65	6,00	2,00	HY660 0630-01-500	HY661 0630-01-500
63,00	83,00	86,00	2,65	6,00	2,00	HY660 0630-02-500	HY661 0630-02-500
70,00	85,00	88,50	3,15	7,50	2,00	HY660 0700-01-500	HY661 0700-01-500
75,00	90,00	93,50	3,15	7,50	2,00	HY660 0750-01-500	HY661 0750-01-500



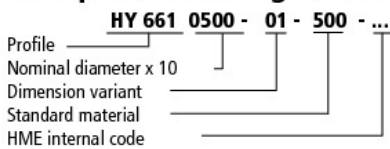
d f8/h9	D H10	D1	E	H	B	Part No. Safety ring	Part No. Back ring
80,00	95,00	98,50	3,15	7,50	2,00	HY660 0800-01-500	HY661 0800-01-500
80,00	100,00	103,50	3,15	6,00	2,00	HY660 0800-02-500	HY661 0800-02-500
90,00	105,00	109,00	4,15	7,50	2,00	HY660 0900-01-500	HY661 0900-01-500
100,00	120,00	124,00	4,15	6,00	2,00	HY660 1000-01-500	HY661 1000-02-500
110,00	125,00	129,00	4,15	10,00	2,00	HY660 1100-01-500	HY661 1100-01-500
110,00	130,00	134,00	4,15	10,00	2,00	HY660 1100-02-500	HY661 1100-02-500
125,00	145,00	149,00	4,15	10,00	2,00	HY660 1250-01-500	HY661 1250-01-500
140,00	160,00	164,00	4,15	10,00	2,00	HY660 1400-01-500	HY661 1400-01-500

Further dimensions and intermediate sizes available on request.

Example for ordering Safety Ring:



Example for ordering Back Ring:



Issue

01 05

WARNING: Limits of application stated herein are standard values. They could be individually transgressed with due consideration to respective service conditions. In the event of a large duty cycle, pulsating operation and other complex operational conditions, simultaneous transgression of these values is not recommended. Due to a large variety of service conditions that may arise in course of actual use, the company does not take responsibility of or guarantee the functional accuracy of the individual components. Rights for changes are reserved.